

QSD5000 CE



Electric Lock Release
电动解锁



Electromagnetic Lowering
电磁下降

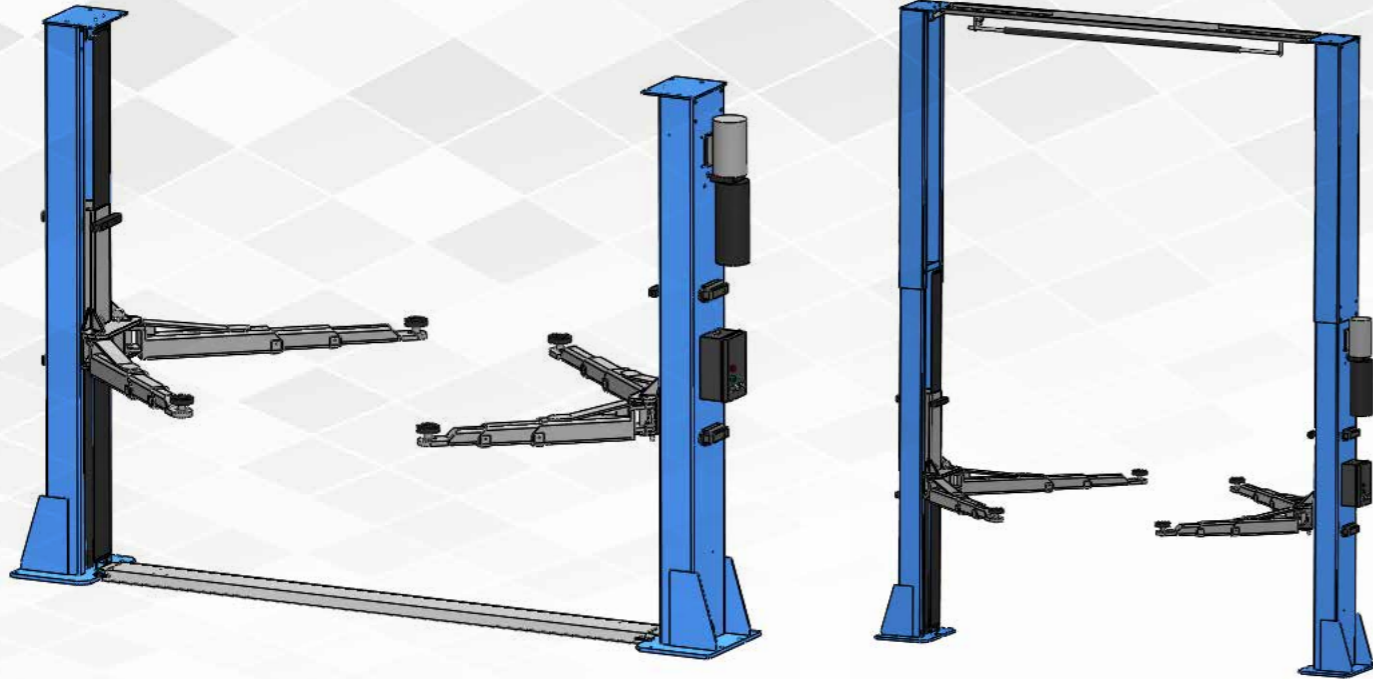
QSD5000B CE



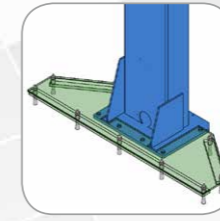
Electric Lock Release
电动解锁



Electromagnetic Lowering
电磁下降



Height adapters for SUVs & trucks (100/150/200mm)
100/150/200mm 增高套



Floor reinforcement
加强底座降低打孔深度



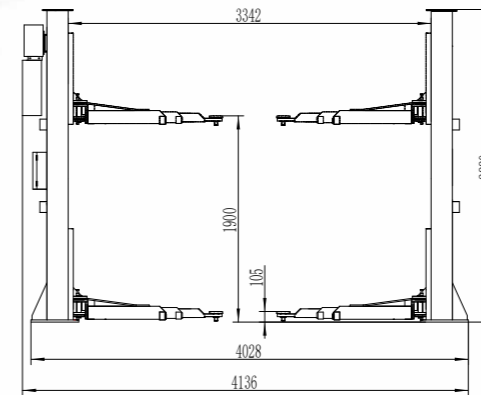
Special fork for battery car
电动车托胎器



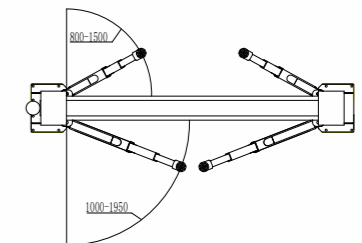
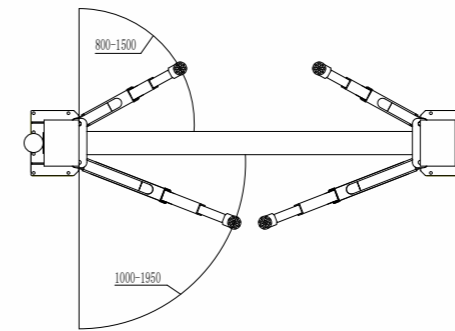
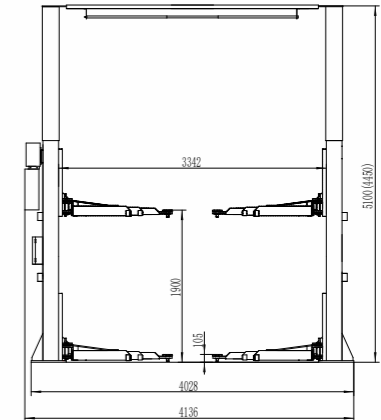
Fast adjustable pad
快速托盘

OVERALL DIMENSION 尺寸参数

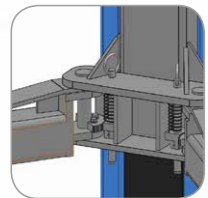
QSD5000



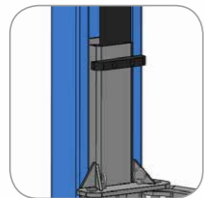
QSD5000B



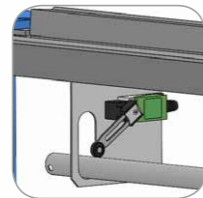
FEATURES 产品特点



Automatic arm-locking system
托臂锁自动上锁设计



Car door protection
车门防撞垫



Top-beam design
限位杆防撞设计



24v safety control box
24v 安全操作电控箱



Safety valves against hose breaking
安全阀确保使用安全

STANDARD 标准配置



Adjustable lifting pad to 3 heights
可调节双螺旋 (3 节) 举升托盘



Aluminum motor
铝电机散热性能好



Dust protection
防尘遮布



70mm height adapters (4 pcs)
4 个 70mm 增高套

TECHNICAL DATA 技术参数

Model	型号	QSD5000	QSD5000B
Capacity	举升重量	5000kg	5000kg
Lifting height	举升高度	1900mm	1900mm
Min. Height	最低高度	105mm	105mm
Overall height	总高度	2880mm	4450mm/5100mm
Overall width	总宽度	4028mm	4028mm
Front arm(3-stage)	前托臂 (3 段式)	800-1500mm	800-1500mm
Rear arm(3-stage)	后托臂 (3 段式)	1000-1950mm	1000-1950mm
Lifting time	上升时间	45-50s	45-50s
Power of motor	电机功率	2.2kW	2.2kW